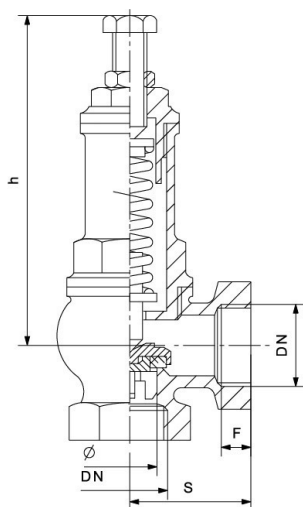




RIV 2545

Spring operated angle pressure relief valve F/F
 PTFE seat
 adjustable from 0 to 7 bar & from 8 to 16 bar

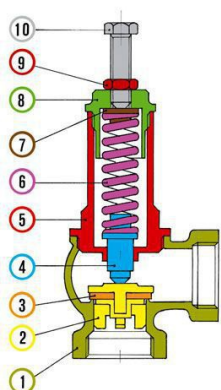
Tech drawings and tables



DN	Code	Ø	h	S	F	PN	KG	P/box
3/8"	032545000003	10,2	90,5	26	10	16	0,309	1
1/2"	032545000004	13	92	34	10	16	0,392	1
3/4"	032545000005	19	117	40	10	16	0,644	1
1"	032545000007	25,7	123	45	12	16	0,886	1
1"1/4	032545000008	31	148	54	13	16	1,463	1
1"1/2	032545000009	38	171	60	14	16	1,957	1
2"	032545000011	48	187	72	15	16	2,987	1
2"1/2	032545000013	68	229,5	87	18	16	5,974	1
3"	032545000014	77,5	250	87,5	19	16	7,725	1

Technical data

RIV 2545



Materials			
1	Body	3/8"-2" Brass 2"1/2-3" Bronze	3/8"-2" CB754S 2"1/2-3" CB490K
2	Disc	Brass	CW617N
3	Gasket	P.T.F.E.	
4	Stem	Brass	CW614N
5	Bonnet	Brass	CW617N
6	Spring	Steel	
7	Pin	Brass	CW614N
8	Plug	Brass	CW614N
9	Nut	Brass	CW614N
10	Screw	Brass	CW614N

Connections	ISO 228/1
Limit	-10°C (without liquid) +180°C
Notes	The max. working pressure (PN) means at a room temperature of about 23°C.